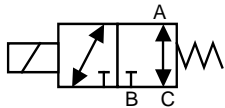


SLUICE OR DIRECTIONAL VALVES TYPE WEV

www.hl-hydraulik.de

These directional control valves are used to channel air from a high pressure reservoir to operationsl vessels with a lower pressure. The Schrupp sluice valves are direct solenoid operated 2/2 way valve size NG6 (3/8") or can be combined with our leak free cartridge assembly for larger sizes. In combination with other devices including pressure reducing valves, relief or safety valves, filters, throttles, etc., the Schrupp WEV series valves can be used for multiple applications in a high pressure pneumatic system.



Type WEV 06 - 500002

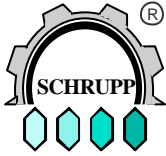
Materials Stainless Steel, Brass

Technical Data	Pressure Range	0-400bar
	Nominal Size	DN6
	Surface temperature	-20 to +80°C
	Ambient temperature	max 45°C
	Medium	Gas
	Flow range	see diagram
	Voltage	12 - 240v ac/dc
	Max power consumption	42 W
	I.D.	100%
	Protection class	IP65, Nema 4

opening and closing time (water)

Q = 25 l/min 1sec

Q = 42 l/min 3sec



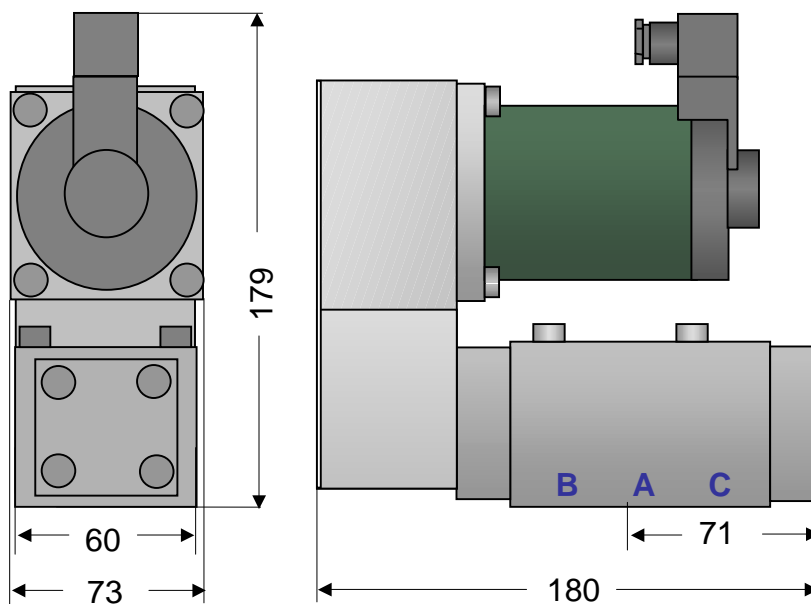
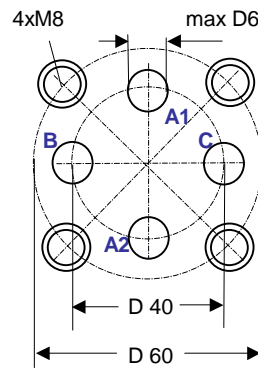
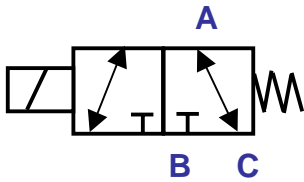
**SLUICE OR DIRECTIONAL
VALVES TYPE WEV**

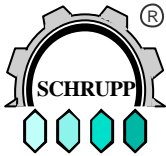
www.hl-hydraulik.de

ORDERCODE

TYPE: WEV 06 P250 50002 024G 24V DC
110W 110V/50Hz (60Hz)
220W 220V/50Hz (60Hz)
Pressure-range up to 50, 250, 400bar

Dimensions





SLUICE OR DIRECTIONAL VALVES TYPE WEV

www.hl-hydraulik.de

These directional control valves are used to channel air from a high pressure reservoir to operationsl vessels with a lower pressure. The Schrupp sluice valves are direct solenoid operated 2/2 way valve size NG6 (3/8") or can be combined with our leak free cartridge assembly for larger sizes. In combination with other devices including pressure reducing valves, relief or safety valves, filters, throttles, etc., the Schrupp WEV series valves can be used for multiple applications in a high pressure pneumatic system.



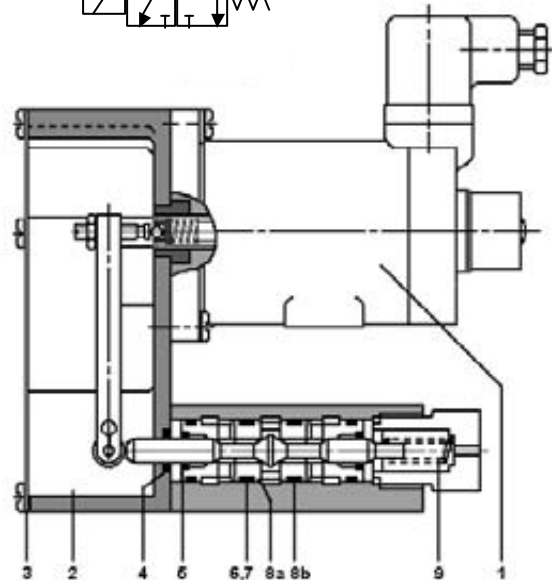
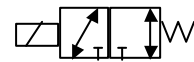
Type WEV 06 R

Materials Stainless Steel, Brass

Technical Data Pressure Range 0-250bar
 Nominal Size DN6
 Surface Temperature -20 to+80°C
 Ambient Temperature max 45°C
 Medium Gas
 Flow Renge see Diagram
 Voltages 12-240V ac/dc
 Max. Power 43W
 Consumption I.D. 100%
 Electrical Protection IP 65, Nema 4
 Class +5 to -10%
 Voltage Tolerance

Functional Description When solenoid 1 is de-energized, spring 9 pushes the piston against seat 8a. Port 1 is blocked, port 2 is connected to port 3. When solenoid 1 is energized, the piston will be shifted against seat 8b. Port 2 is blocked and port 1 is connected to port 3.

Spare Parts		WEV 06 R
Item	Quantity	Description
3	1	Seal
4	1	Rd-Ring
5	2	Turcon Step seal
6	4	Rd-Ring
7	6	Back up ring
8	2	Valve Seat



Schrupp directional valves can be used as 2/2 way or 3/2 way valves with flow in either direction.



SLUICE OR DIRECTIONAL VALVES TYPE WEV

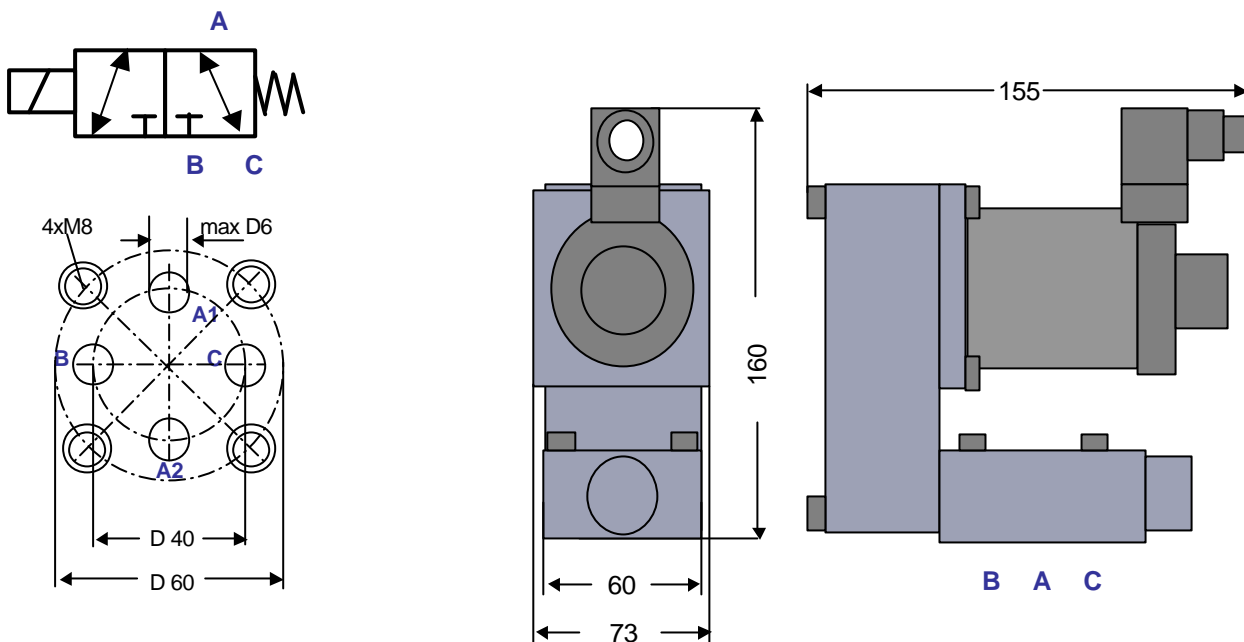
www.hl-hydraulik.de

3/2, 2/2 Directional Valves DN6 PN250 for sub plates for compr. air, water, oil

TYPE: WEV 06 PL (Partno) 024G 24V DC
110W 110V/50Hz (60Hz)
220W 220V/50Hz (60Hz)

Partno 500000

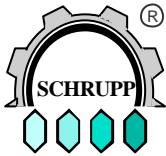
These directional control valves are used to channel air from a high pressure reservoir to operation vessels with a lower pressure. The Schrupp sluice valves are direct solenoid operated 2/2 way valve size NG6 (3/8") or can be combined with our leak free cartridge assembly for larger sizes. In combination with other devices including pressure reducing valves, relief or safety valves, filters, throttles, etc., the Schrupp WEV series valves can be used for multiple applications in a high pressure pneumatic system.



TYPE: WEV 06 PW (Partno) 024G 24V Gleichstrom
110W 110V/50Hz (60Hz)
220W 220V/50Hz (60Hz)

Partno 500038

These directional control valves are similar to type WEV06PL. The use of soft seats allows a operation in water or oil systems with pressures up to 64 bar.



SLUICE OR DIRECTIONAL VALVES TYPE WEV

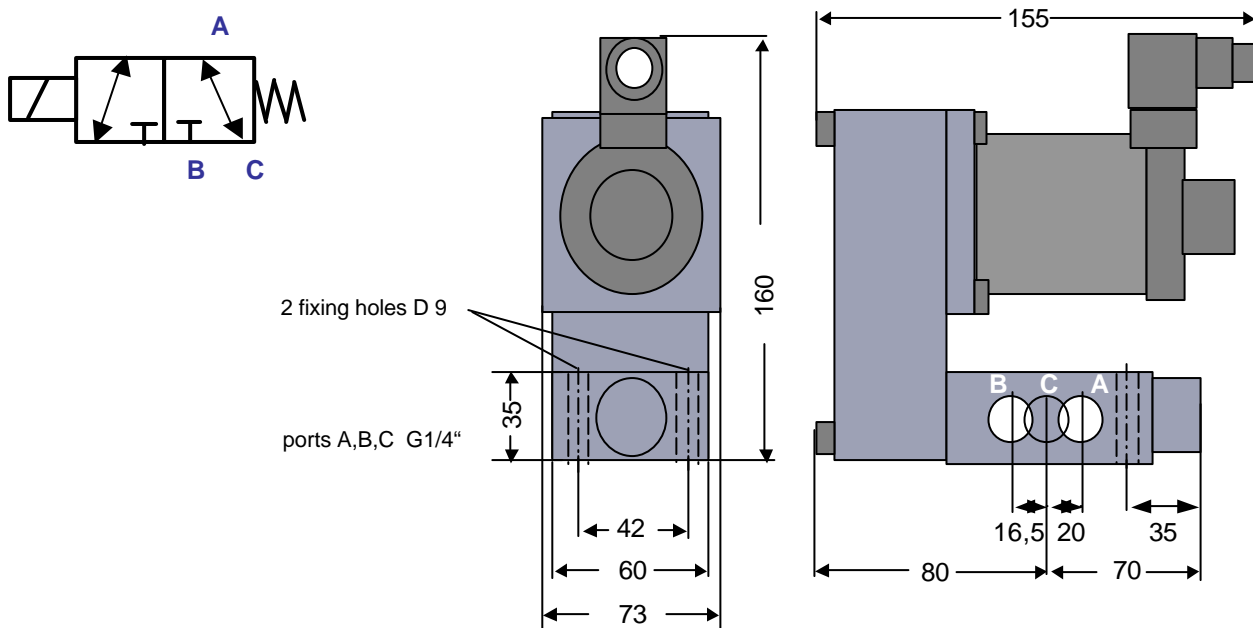
www.hl-hydraulik.de

3/2, 2/2 Directional control Valves DN6 PN250 with threat ports for compr. air, water and oil

TYPE: WEV 06 RL (Partno) 024G 24V DC
110W 110V/50Hz (60Hz)
220W 220V/50Hz (60Hz)

Partno 500004

These directional control valves are used to channel air from a high pressure reservoir to operation vessels with a lower pressure. The Schrupp sluice valves are direct solenoid operated 2/2 way valve size NG6 (3/8") or can be combined with our leak free cartridge assembly for larger sizes.



TYPE: WEV 06 RW (Partno) 024G 24V DC
110W 110V/50Hz (60Hz)
220W 220V/50Hz (60Hz)

Partno 500004-38

These directional control valves are similar to type WEV06PL. The use of soft seats allows a operation in water or oil systems with pressures up to 64 bar.



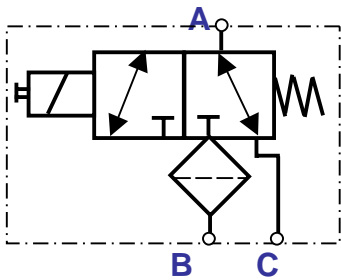
SLUICE OR DIRECTIONAL VALVES TYPE WEV

www.hl-hydraulik.de

3/2, 2/2 directional Control Valve DN6 PN250 with filter, for compr. air

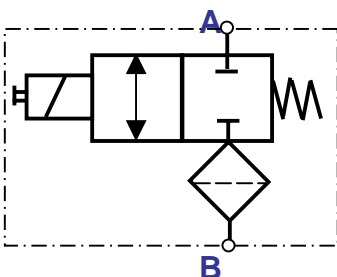
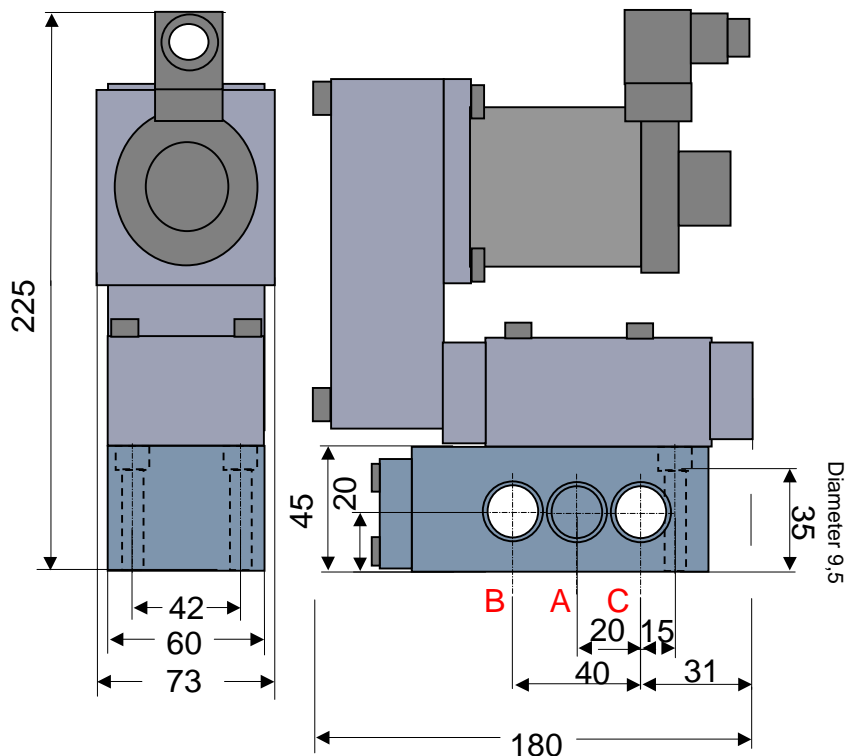
TYPE: WEV 06 FL (Partno) 024G 24V DC
110W 110V/50Hz (60Hz)
220W 220V/50Hz (60Hz)

These directional control valves are used to channel air from a high pressure reservoir to operation vessels with a lower pressure. An integrated 80mic cleanable filter at port R protects the valve against dirt particles. The Schrupp sluice valves are direct solenoid operated 2/2 way valve size NG6 (3/8") or can be combined with our leak free cartridge assembly for larger sizes.



Ports A, B, C - G1/4"
Partno 451443

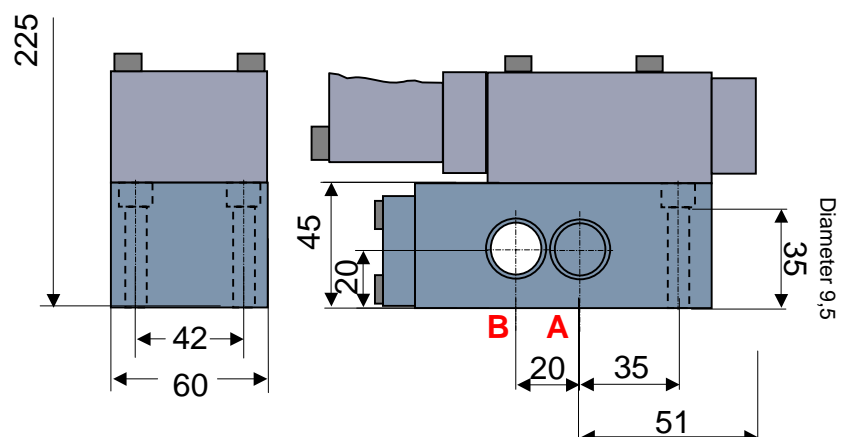
Spare parts for filter:
 1Pce filter element Partno. 157346
 1Pce O - Ring Partno. 080098
 Spare parts for directional valve
 see page 1

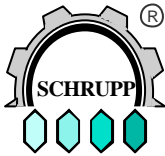


Ports A, B - G1/2"
Partno 503690

Ports A, B - M22x1,5
Partno 503382

Spare parts see above





SLUICE OR DIRECTIONAL VALVES TYPE WEV

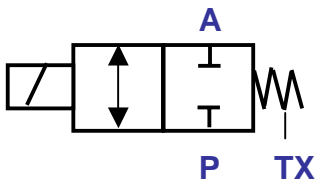
www.hl-hydraulik.de

2/2 Directional Control Valve DN16 PN250 with thread port for compr. air, water, oil

TYPE: WEV 16 RL (Partno) 024G 24V DC
110W 110V/50Hz (60Hz)
220W 220V/50Hz (60Hz)

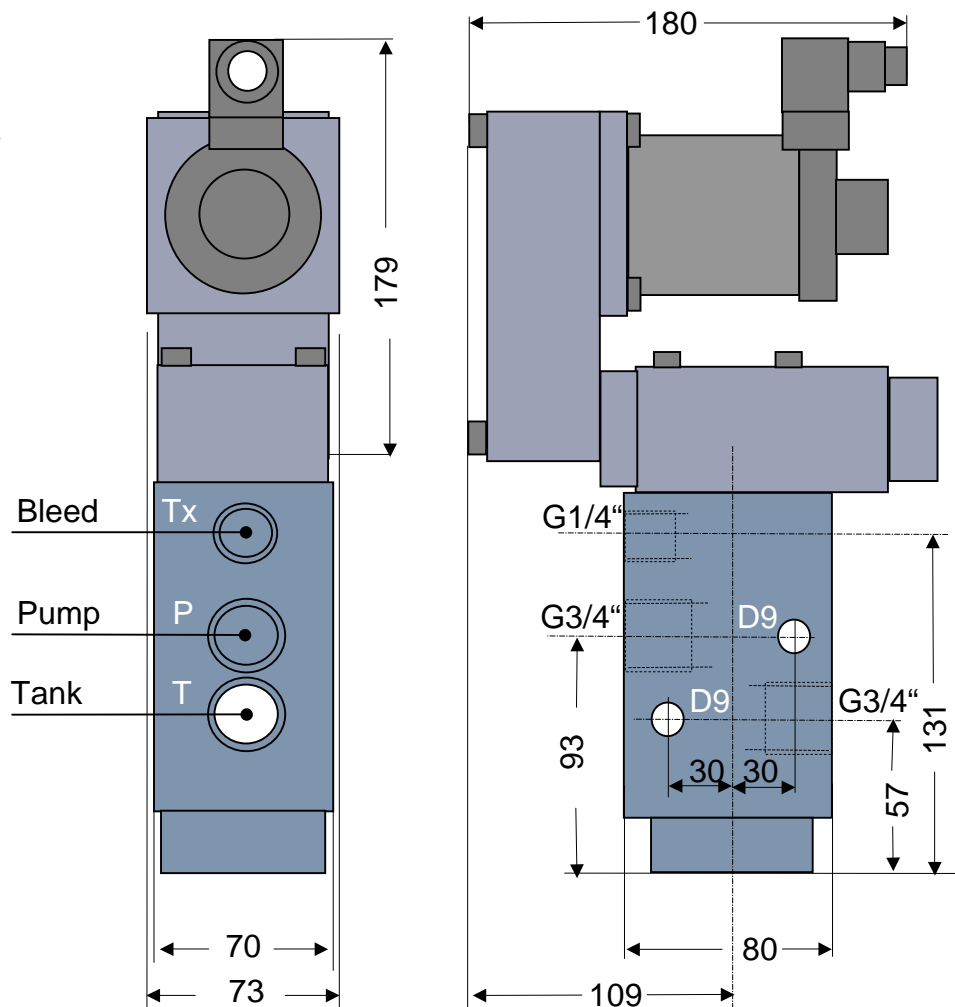
Partno 450737

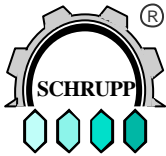
These leakfree directional valves size 16mm with thread connections can be used in compressed air systems up to 250bar. Spezial designs for water or oil applications on request. All ports can be operated with the maximum pressure. The valve includes a soft seated DIN cartridge size 16 type EO-16-00-6D/S, what is piloted by an type 500000 pilot valve.



Spare Parts

Pilot valve see page 1
 Cartridgevalve ND 16
 Partno 165991





SLUICE OR DIRECTIONAL VALVES TYPE WEV

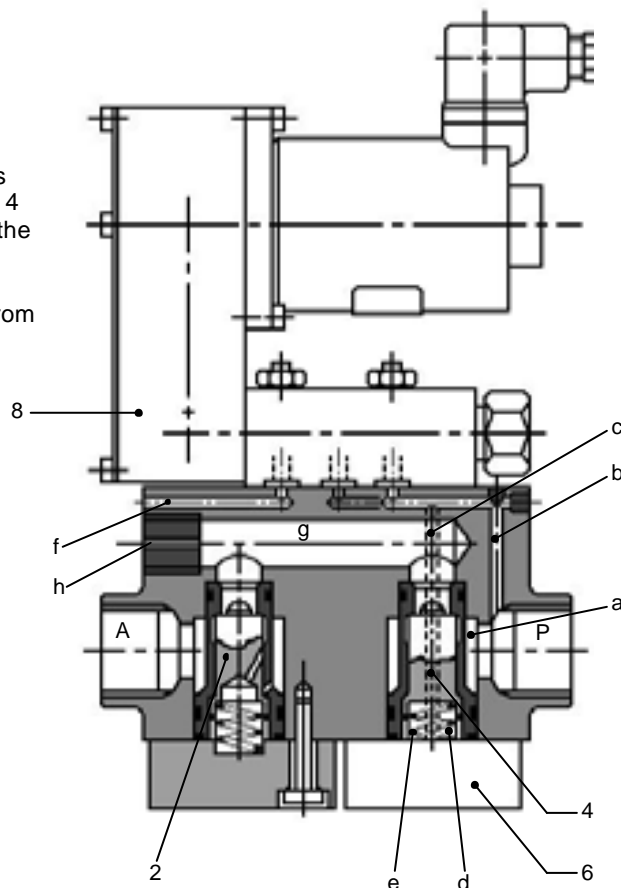
www.hl-hydraulik.de

Typ WEV 16 R

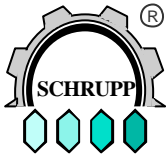
APPLICATION	These valves are used as sluice valves between high and low pressure reservoirs. They combine a 2/2 way pilot operated directional control valve and a check valve. The Schrupp WEV 16 R directional valves can also be used for diesel engine start up.
Materials of Construction	Housing – Brass Internal Parts – Stainless Steel Seals – Viton, Teflon, Delrin
Technical Data	Pressure Range 0-250bar Nominal size DN6 Temperature Range 20 to+80°C Ambient Temperature max 45°C Medium Gas Flow Range see Diagram Voltages 12-240V DC/ AC Max.Power Consumption 43W I.D. 100% Electrical Protection Class IP 65, NEMA 4 Voltage Tolerance +5to -10%

Functional Description

When the solenoid of the 3/2 way pilot valve is de-energized, piston area d is connected through drillings band c to port P. The piston of cartridge valve position 4 is closed by the spring. By energizing the solenoid of the pilot valve, drilling b will be blocked and c and f are connected. The cartridge valve will be opened by the pressure in Port P. The check valve allows flow only from P to A. During this operation a small volume of air will pass through nozzle n.



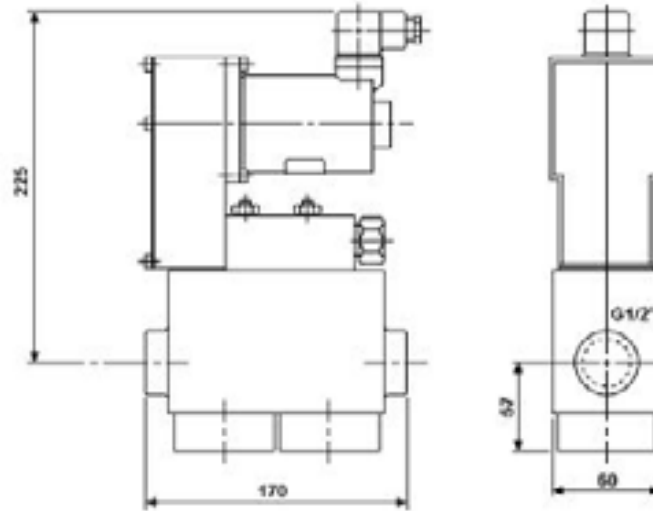
Spare Parts		WEV 16 R
Item	Quantity	Description
2	1	Check Valve DN16
4	1	Cartridge Valve DN 16
6	1	Rd-Ring
8	1	3/2 Way Valve DN 6



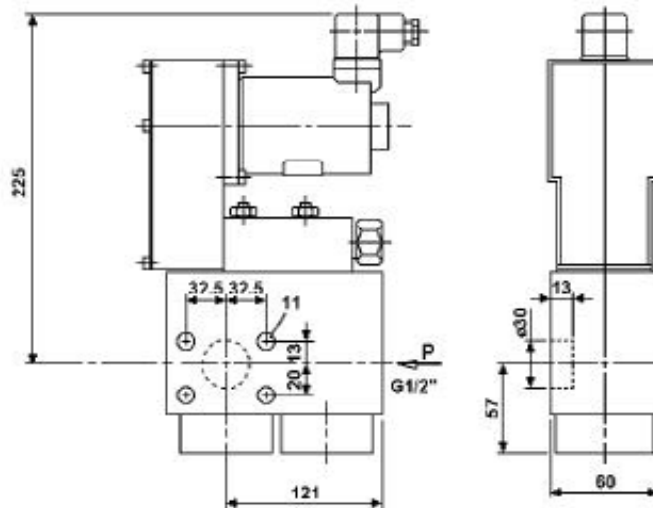
SLUICE OR DIRECTIONAL VALVES TYPE WEV

www.hl-hydraulik.de

Partno 452617



Partno 168870



ORDER CODE

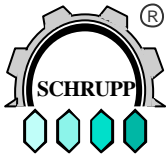
WEV 16 R **024vGL**

Voltages

012vDC, 024vDC, 110vDC, 220vDCL
110vAC, 220vAC /50-60Hz
Other Voltages on request

Partno

Directional Valve DN6 for pipeline installation



SLUICE OR DIRECTIONAL VALVES TYPE WEV

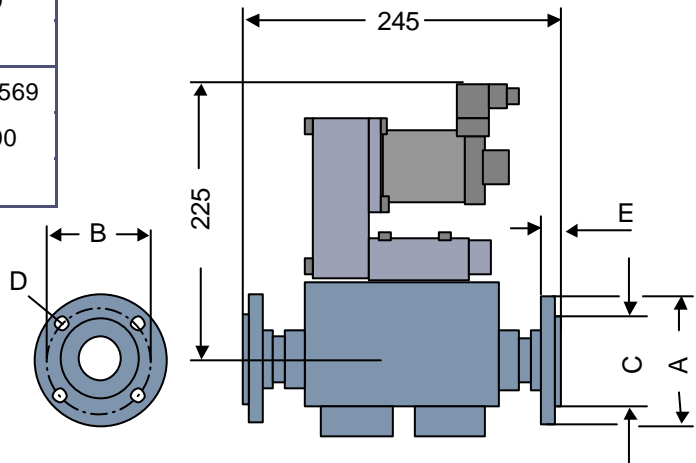
www.hl-hydraulik.de

Modification Sets and Accessoires (do not use for new applications)

Valve Type 168870 with Flange connections

Partno	Flange	A	B	C	D	E	Flange per
452631	DN 20	105	75	58	14	18	DIN 2567
452632	DN 25	115	85	68	14	18	PN 40
452633	DN 40	150	110	88	18	18	
452634	DN 20	130	90	68	18	22	DIN 2569
452635	DN 25	140	100	78	18	24	PN 100
452636	DN 40	170	125	98	23	26	

Partno for Valve with flanges



Modification set

In a lot of systems there are still type AP 1820, AP 6225 or AP 6733 valves in operation. For technical reasons it is not possible anymore to produce the original pilot valves. To upgrade this valves with new pilot valves Type 500000 it is necessary to assemble a modification set. Specially when the main stage of the valve is in good condition it is more economical to replace only the pilot than to invest into a new valve.

Partno. modification set 502136

